

US PRODUCT SHEET

TERRA L



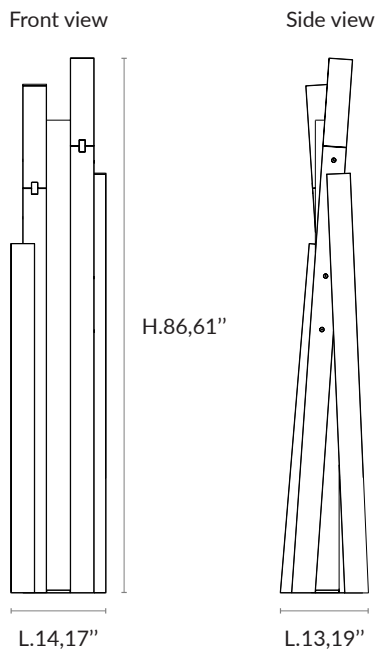
Non contractual picture

AAE TERRA L PS



Alain Ellouz
.paris

Type	Floor lamp
Environment	Indoor
Material	Alabaster and burnt wood
Lighting system	LED Strip 2,9W/ft - Dimmable intensity (2700K) - Transformer on plug
Wattage	36W
Voltage	24 V : Transformer provided
Luminous flux	Source : 3950 lm The alabaster diffuses between 40 and 60% of the light source lumens
Weight	Approx. 83,8 lb



TERRA L[®]
 DESIGN BY ATELIER ALAIN ELLOUZ
 MADE IN FRANCE

References ALM-0008

Warranty 2 years warranty. General terms and conditions of sale.

LIGHTING CONTROL SYSTEM

To be chosen according to project : DMX, DALI (DT8), TRIAC (phase dimming, setting knobs to choose the light temperature), 1-10V (two 1-10V bus required), NONE (setting knob to choose and fix the light intensity and temperature).

For a correct functioning the remote transformer / driver must be placed in an accessible place at maximum 33' from the light fixture.